



COMMERCIAL HARDWARE DOOR MEASURING GUIDES

Door Handle Pack

Choose Your Hardware:

- Door Handle
- Cylinder
- Letterplate
- Knocker
- Door Chains
- Hinges

Other accessories available upon request.

Replace Existing Hardware

Measuring Guides:

- 06** Door Handle
- 07** Letterplate
- 08** Cockspur Window Handle
- 09** Espag Window Handle
- 10** Friction Stay Hinge
- 11** Cylinder Measuring Guide

Choose Your Finish.



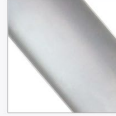
Hardex
Chrome



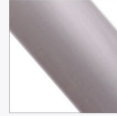
Hardex
Gold



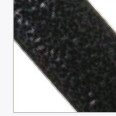
Hardex
Bronze



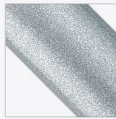
Hardex
Graphite



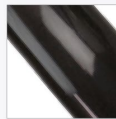
Hardex
Satin



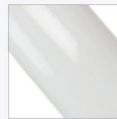
Antique
Black



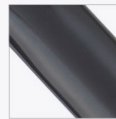
Silver



Black



White



Anthracite
Grey



Forged
Black



Hardex
Pewter

Please note: some products will not be available in all finishes.



RAL7016

Anthracite
Grey

High Security Hardware Pack



3 Star Cylinders



Secure by Design



Pull Handle



Knob Handle



Letterplates



Knocker with spyhole



High Security Chain



3D Composite Hinge

Approved by everyone.



Official Police Security Initiative



Basic Hardware Pack



Cylinders



Thumbturn Cylinders



Lever/Pad Handle



Pull Handle



Knob Handle



Security Chain



Knocker



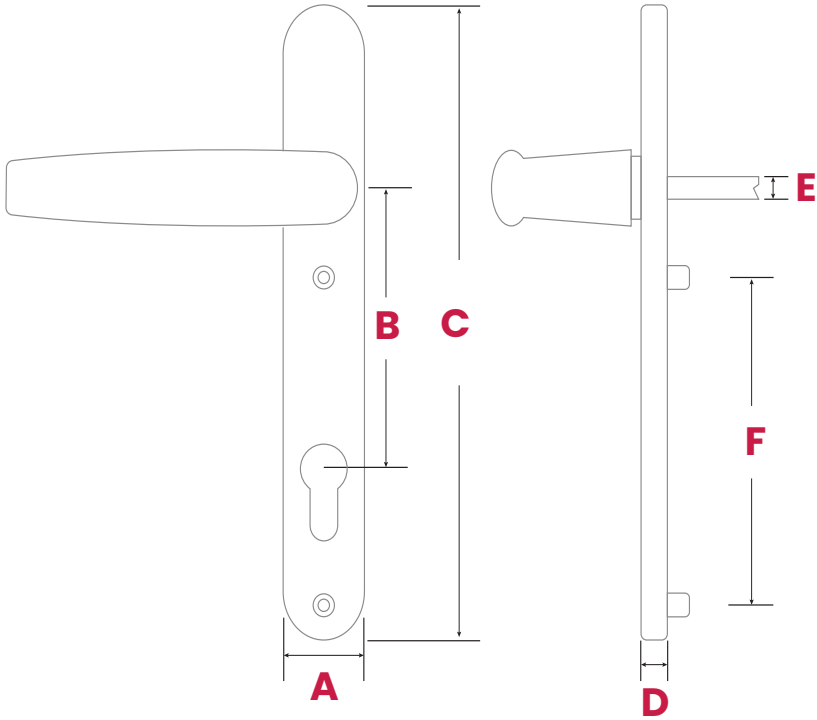
Letterplates



3D Composite Hinge



Measure Your Door Handles



A Back Plate Width _____

D Back Plate Thickness _____

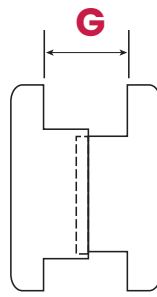
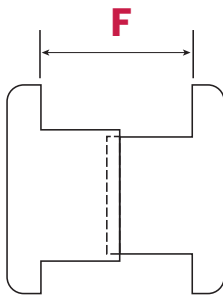
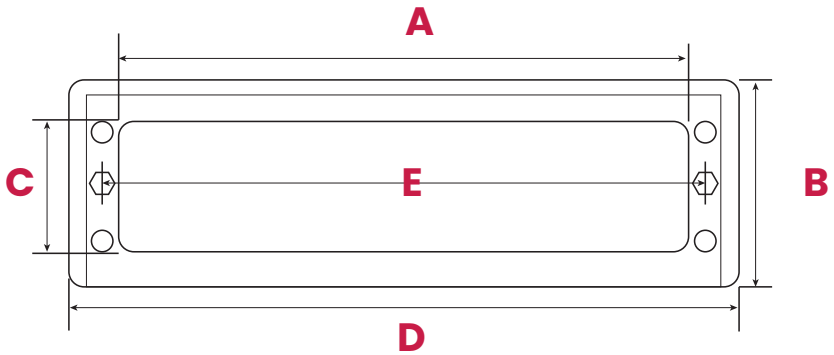
B Handle Centres (PZ) _____

E Spindle Width _____

C Back Plate Height _____

F Fixing Hole Centres _____

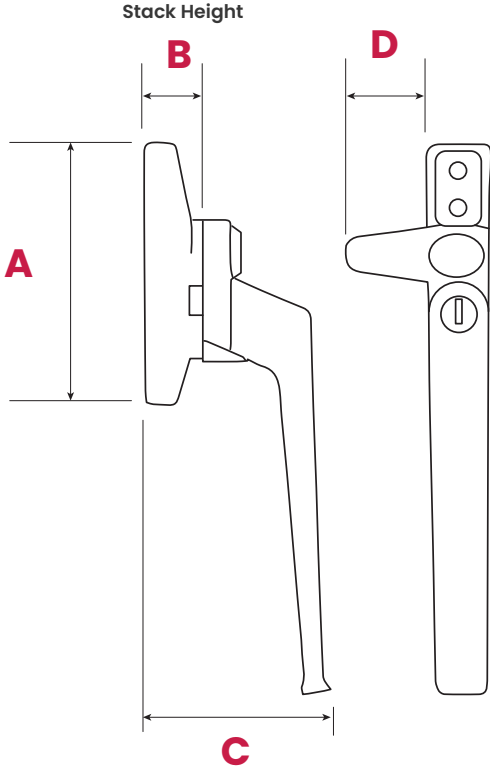
Measure Your Letterplates



A _____ **B** _____ **C** _____ **D** _____ **E** _____ **F** _____ **G** _____

Dimensions (mm)

Measure Your Cockspur Window Handles

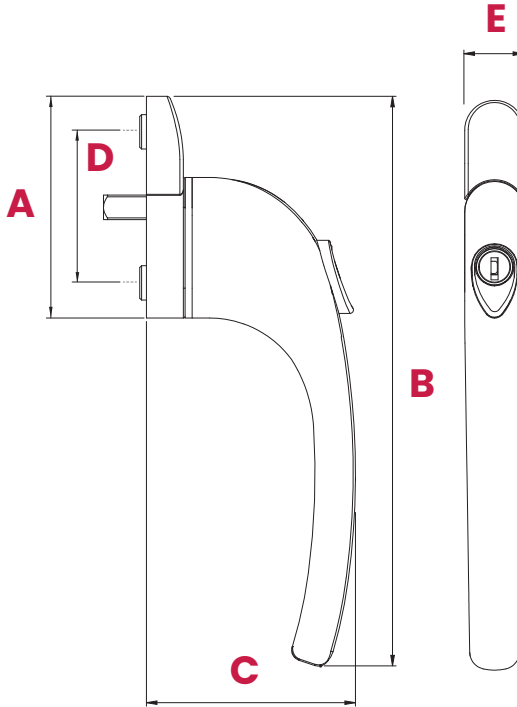
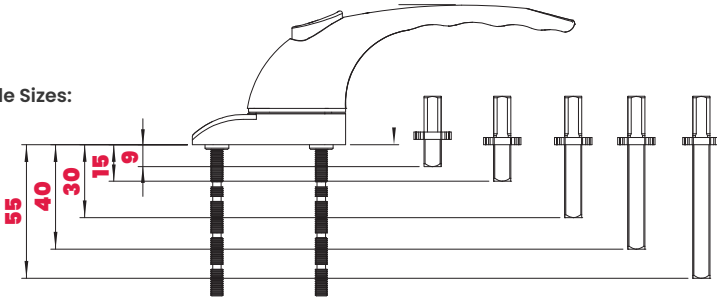


A _____ **B** _____ **C** _____ **D** _____

Dimensions (mm)

Measure Your Espag Window Handles

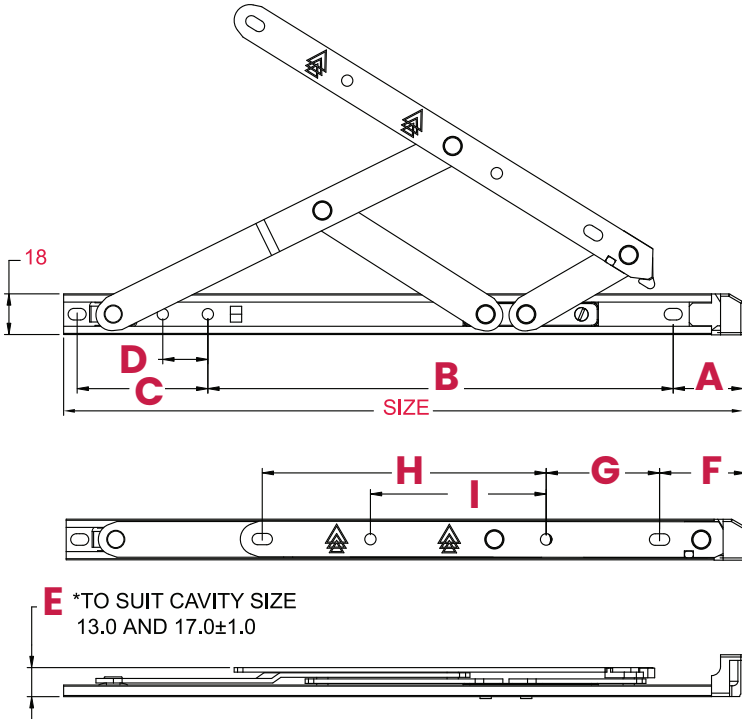
Spindle Sizes:



A _____ **B** _____ **C** _____ **D** _____ **E** _____

Dimensions (mm)

Measure Your Friction Stays

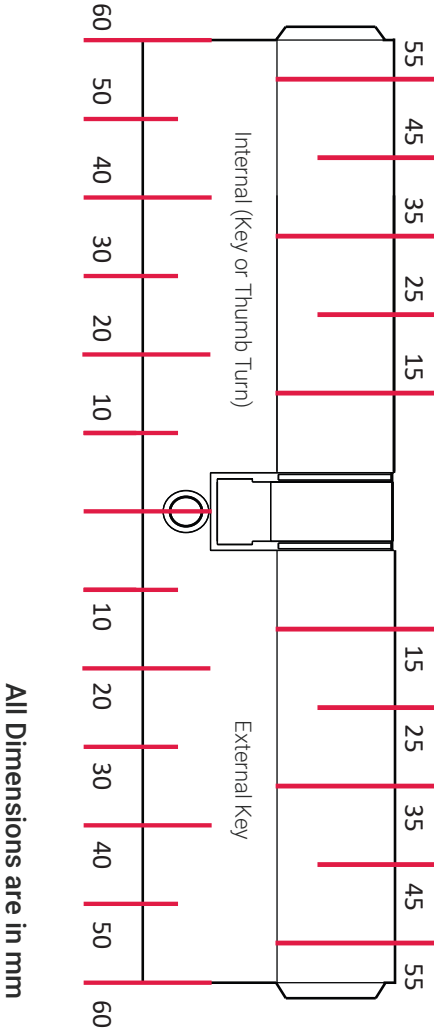


A _____ **B** _____ **C** _____ **D** _____ **E** _____ **F** _____ **G** _____

H _____ **I** _____

Dimensions (mm)

Measure Your Cylinder

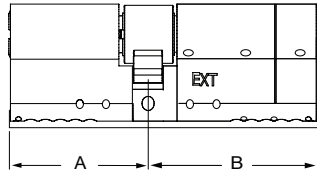


A _____
Internal (mm)

B _____
External (mm)

Place your cylinder over the drawing.

Making sure the External measurement is on the right hand side.





COMMERCIAL HARDWARE



DOOR HARDWARE