

# 7100 Electric Strikes

## Ramp Jaw Electric Strike - 7108 and 7128

The Adams Rite 7100 Series is for remote use access control of any door equipped with Adams Rite 4700 series (or similar) deadlatch.

The 7108 and 7128 series are for use on doors where conformance to BS EN 1125 or BS EN 179 is required.



### Key Benefits

- Suitable for use on aluminium, timber and steel doors
- Non-handed
- Facility to change duty from fail safe to fail secure and vice versa
- The 7108 series have flat faceplates for mounting in the frame of a single action, single leaf aluminium doors
- 907kg holding force (2000lbs)
- Electrical actuation unlocks the strike jaw, releasing the latchbolt so the door can be opened without operating the latch itself
- Ramp jaw to meet release forces of BS EN 1125/BS EN 179
- The 7128 series have square corners to aid installation into timber and steel doors

# 7100 Electric Strikes

## Ramp Jaw Electric Strike - 7108 and 7128

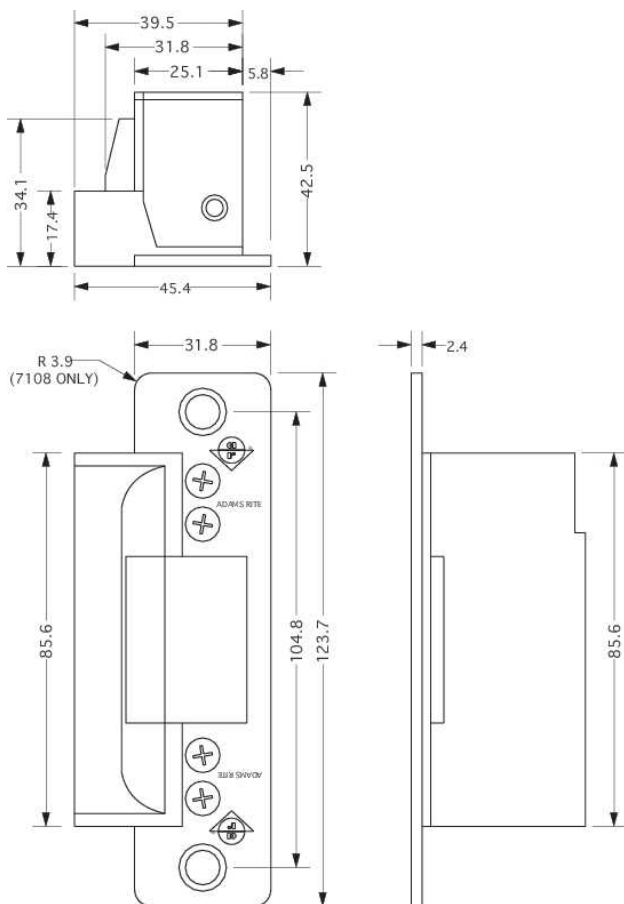
### Related Hardware

RiteKey Keypad ~ Push-to-Exit Button ~ Power Supply Unit ~ 4710 Heavy Duty Deadlatch ~ 4720ANSI Deadlatch ~ 4750 Deadlatch ~ 4591 Paddle Handle ~ 4596 Europrofile Paddle Handle ~ 930 Exit Device ~ 940 Exit Device

# 7100 Electric Strikes

## Ramp Jaw Electric Strike - 7108 and 7128

### Specification



Current Draw:	12vAC=1.48A, 12vDC=0.332A, 24vAC=0.74A, 24vDC=0.19A (nominal). DC intermittent and continuous units are silent, AC intermittent units "buzz" on operation.
Voltage Tolerance:	+/- 10%
Powered by:	Internal solenoid
Monitoring:	(Optional) Single: Latch only, Double: Latch & solenoid.
Duty:	Fail-safe or fail-secure (convertible without additional parts). DC power supply required for fail-safe operation.
Jaw Strength:	907kg (2000lbs).
Case:	85.6mm x 31.8mm x 42.5mm. Zinc aluminium alloy.
Mechanism:	Stainless steel internal blocking mechanism
Strike Opening:	36.5mm x 15.9mm x 12.7mm.
Door gap:	Minimum 3mm (1/8"), operational door gap 3-5mm.
Faceplate:	Aluminium. 123.7mm x 31.8mm. Flat. (7108 has radius corners, 7128 has square corners).
Finishes:	See ordering codes.
Subcover:	Basic subcover lip will suit a 44.45mm (1 3/4") thick door that closes flush with jamb edge. For extended bolt-on subcovers see ordering codes.
Standards:	ANSI/BHMA 156.5 Grade 1. UL Listed for burglary resistance.

#### Subcover Extension Codes/ Sizes

Code	Dimension *	Code	Dimension*
-01	38.1mm (1.50")	-08	60.5mm (2.38")
-02	41.4mm (1.63")	-09	63.5mm (2.50")
-03	44.5mm (1.75")	-10	66.8mm (2.63")
-04	47.8mm (1.88")	-11	69.9mm (2.75")
-05	50.8mm (2.00")	-12	73.2mm (2.88")
-06	54.1mm (2.13")	-13	76.2mm (3.00")
-07	57.2mm (2.25")		

\*Dimension from door centreline to jamb edge.

# 7100 Electric Strikes

## Ramp Jaw Electric Strike - 7108 and 7128

### Standards

To conform with BS EN 1125:2008 the 7108 or 7128 strikes must be used with the 930 or 940

Series Exit Device

To conform with BS EN 179:2008 the 7108 or 7128 strikes must be used with the: 4710 Heavy Duty Deadlatch or 4720ANSI Deadlatch and 4591 Push Paddle Handle 4750 Heavy Duty Deadlatch and 4596 Push Paddle Handle

### Ordering Information

7108-310-628	7108 12VDC FAIL SECURE ESCAPE ELECTRIC RELEASE SAA
7108-315-628	7108 12VDC FAIL SAFE ESCAPE ELECTRIC RELEASE SAA
7108-319-628-1	7108 12VDC FAIL SECURE ESCAPE ELECTRIC REL SAA SINGLE MON
7108-340-628	7108 12VAC FAIL SECURE ESCAPE ELECTRIC RELEASE SAA
7108-515-628	7108 24VDC FAIL SAFE ESCAPE ELECTRIC RELEASE SAA
7128-310-628	7128 12VDC FAIL SECURE ESCAPE ELECTRIC RELEASE SAA
7128-315-628	7128 12VDC FAIL SAFE ESCAPE ELECTRIC RELEASE SAA
7128-317-628-1	7128 12VDC FAIL SAFE ESCAPE ELECTRIC RELEASE SAA SINGLE MON

#### Subcover Extensions

91-0173-05	05 SUBCOVER EXTENSION 7108 & 7128
91-0173-07	07 SUBCOVER EXTENSION 7108 & 7128
91-0173-10	10" SUBCOVER EXTENSION 7108 & 7128

#### Accessories

31-0044-05	12VDC 24VAC SOLENOID FAIL SAFE/SEC FOR 7100
31-0044-07	24VDC SOLENOID FAIL SAFE/SECURE FOR 7100
91-0077-01-603	ELECTRIC STRIKE FIXING PACK