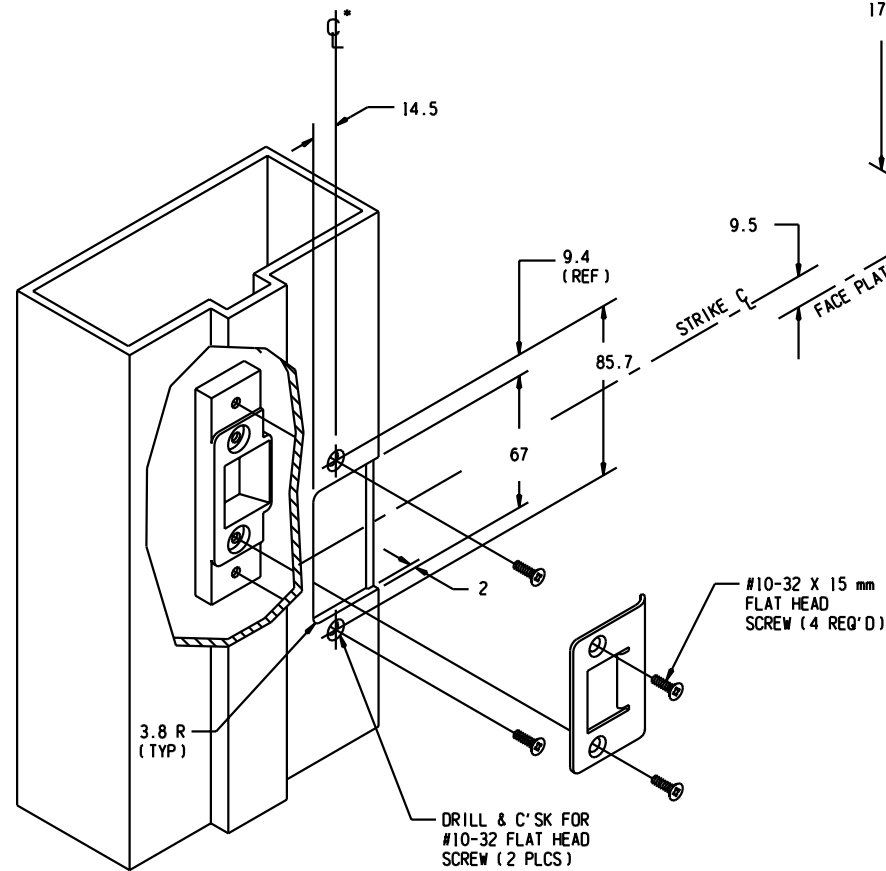


PREPARATION

UNLESS OTHERWISE SPECIFIED ALL DIMENSIONS ARE IN MILLIMETERS

NOTE: THESE DIMENSIONS AND TEMPLATES ASSUME A DOOR THICKNESS OF 44.5 mm. FOR DOORS OF OTHER THICKNESS, CONSULT FACTORY.

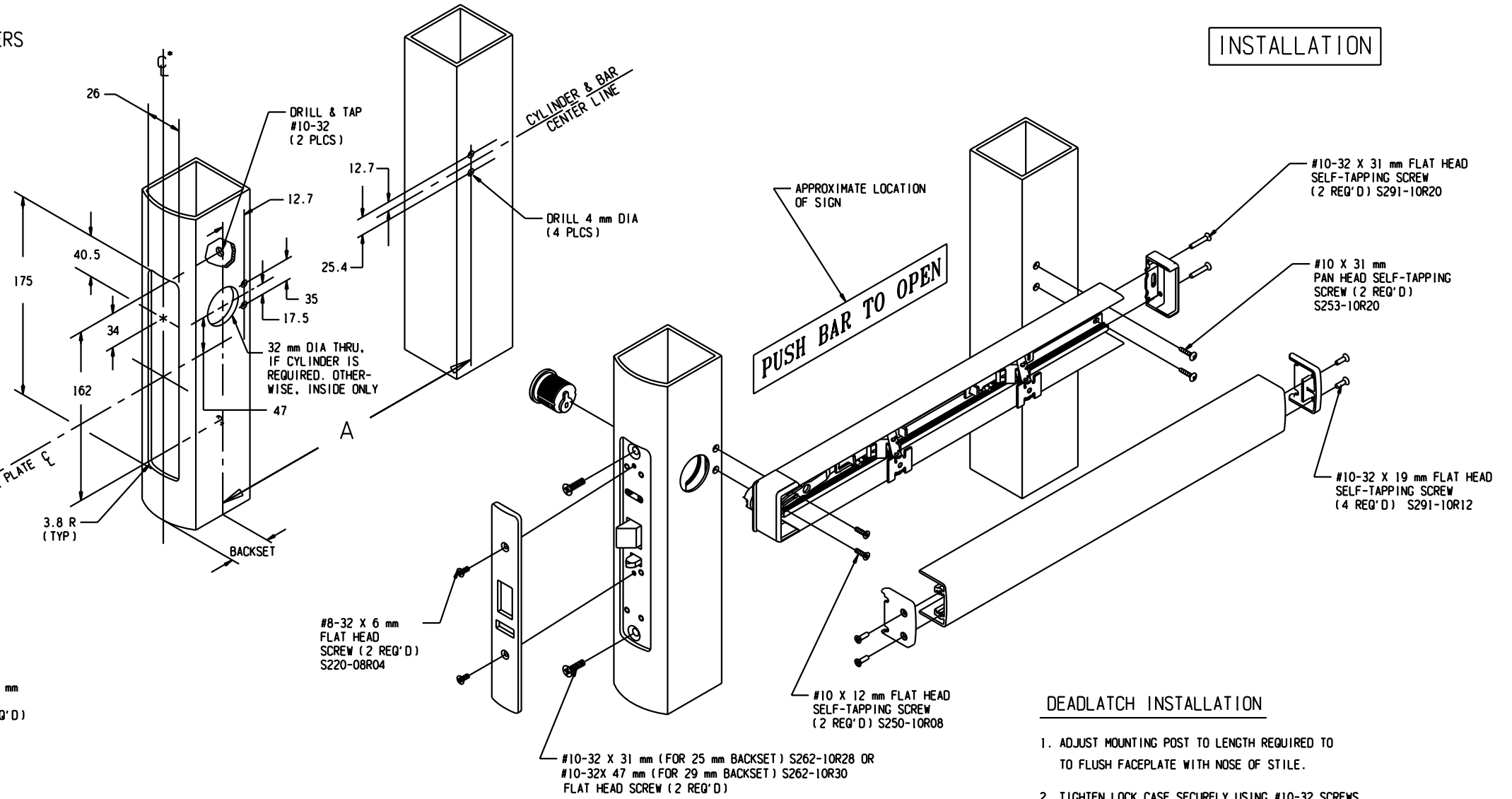
NOTE: \bar{C} DENOTES VERTICAL CENTER LINE OF STRIKE WITHIN .4 mm OF DEADLATCH CENTER LINE.



STRIKE INSTALLATION

1. INSTALL CAST STRIKE CUP WITH #10-32 FLAT HEAD SCREWS.
 2. INSTALL STRIKE PLATE WITH #10-32 FLAT HEAD SCREWS.
- NOTE: BOTH STRIKE CUP AND STRIKE PLATE MUST BE INSTALLED PROPERLY TO MEET CODE REQUIREMENTS.

INSTALLATION



DEADLATCH INSTALLATION

1. ADJUST MOUNTING POST TO LENGTH REQUIRED TO TO FLUSH FACEPLATE WITH NOSE OF STILE.
2. TIGHTEN LOCK CASE SECURELY USING #10-32 SCREWS.

PUSH BAR MOUNTING INSTRUCTIONS

1. SEPERATE PUSHBAR AND BACK (SEE REVERSE)
2. DEPRESS LATCH BOLT
3. INSERT BAR ASSEMBLY CAM PLUG THRU SIDE PLATE.
NOTE: THE SQUARE KEY ON PLUG MUST ALIGN WITH SQUARE NOTCH ON SIDE PLATE.
4. INSTALL SELF-TAPPING SCREWS, BOTH ENDS, THEN, TIGHTEN SECURELY.
5. TIGHTEN CAM PLUG SET SCREW.
6. INSTALL FACEPLATE.
7. INSTALL PUSH BAR END CAPS AND BACKBAR CAP.

PRODUCT MUST BE INSTALLED ACCORDING TO ALL APPLICABLE BUILDING AND LIFE SAFETY CODES



Adams Rite Europe LTD.
The Meadows, Cannock Road
Wolverhampton
WV10 0RR

80-0180-940

940 MORTISE EXIT DEVICE

CE CERTIFICATE OF CONFORMITY
No. 1121-CPD-AAA014

INSTALLATION INSTRUCTIONS

Rev. B.0

Ecn 11450

Date: 10/27/09

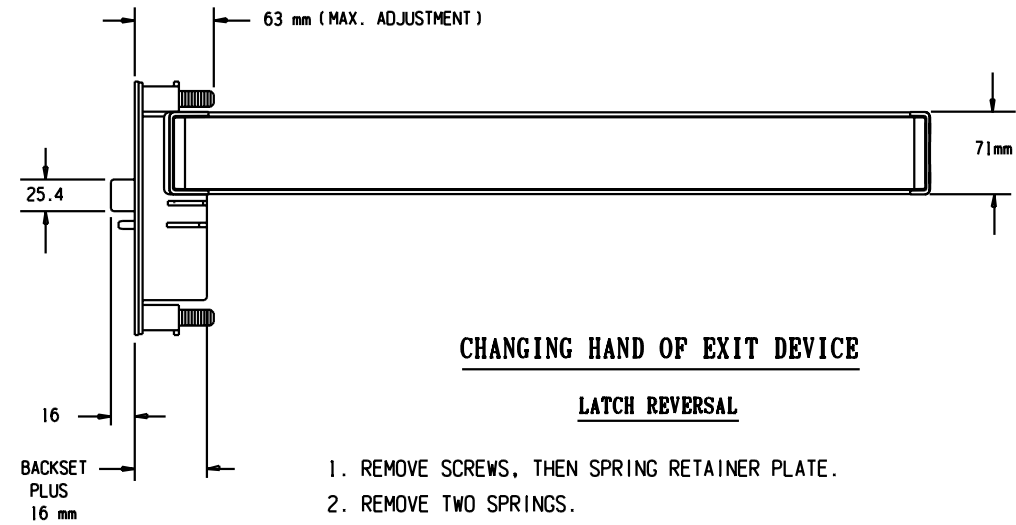
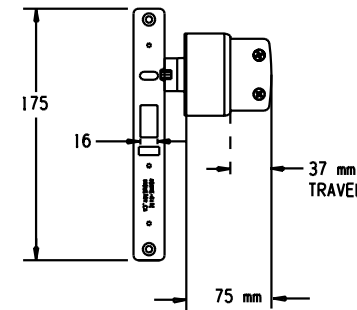
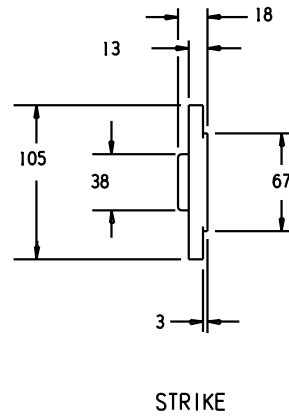
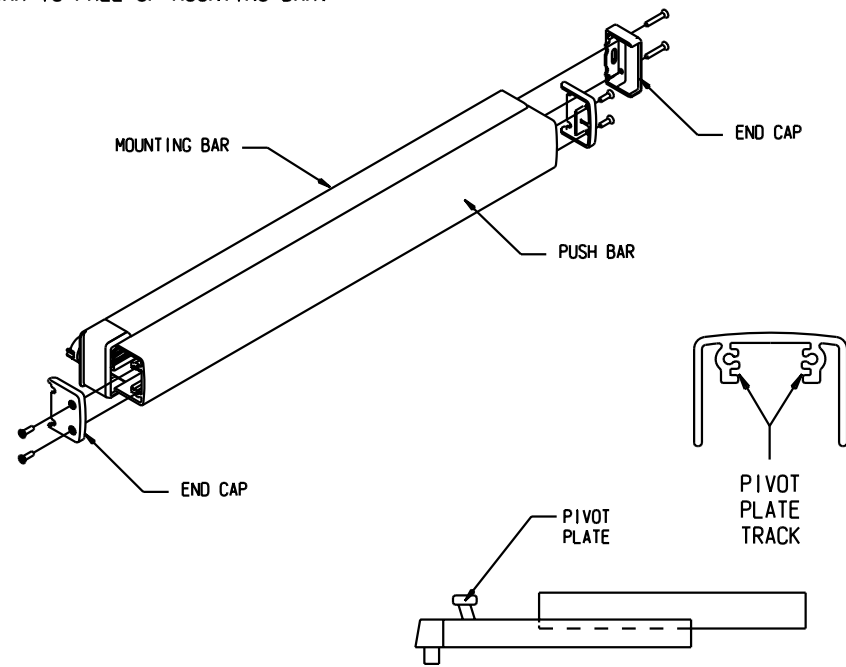
Page 1 of 2

Appvd:

Date:

SEPARATING PUSH BAR AND MOUNTING BAR PROCEDURE

1. REMOVE HINGE END-BACKBAR CAP. REMOVE BOTH END CAPS.
2. SLIDE PUSH BAR TOWARD HINGE SIDE OF DOOR.
3. CONTINUE TO SLIDE PUSH BAR PAST THE PIVOT PLATE THAT RIDES IN PUSH BAR TRACK.
4. SLIDE PUSH BAR IN OPPOSITE DIRECTION KEEPING PIVOT PLATE OUT OF TRACK UNTIL PUSH BAR IS FREE OF MOUNTING BAR.



CHANGING HAND OF EXIT DEVICE

LATCH REVERSAL

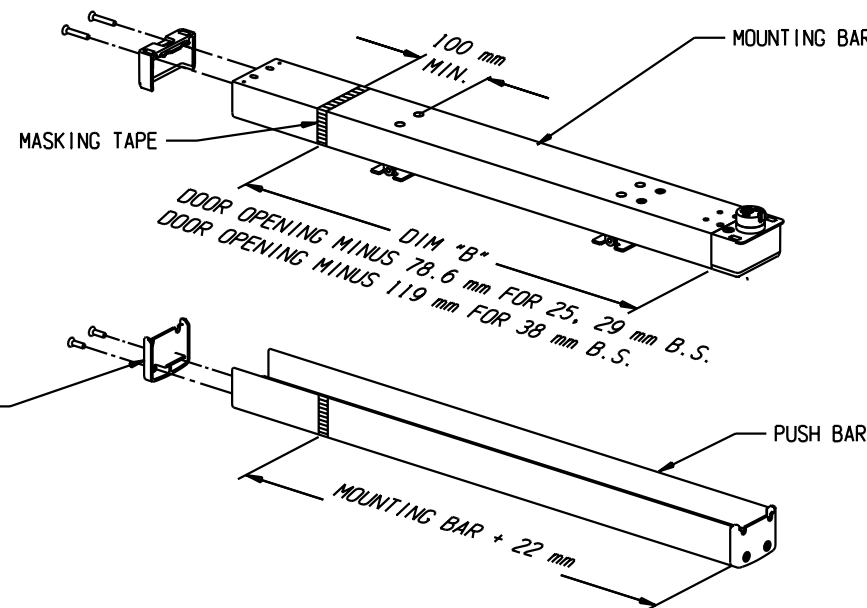
1. REMOVE SCREWS, THEN SPRING RETAINER PLATE.
2. REMOVE TWO SPRINGS.
3. REMOVE AUXILIARY BOLT.
4. REMOVE LATCH BOLT AND DEADLOCKING ARM ASS'Y BEING CAREFUL NOT TO LOSE SMALL INTERNAL SPRING.
5. REMOVE INTERNAL (DEADLOCKING) SPRING.
6. SLIDE PIN OUT OF LATCH BOLT AND REMOVE DEADLOCKING ARM.
7. REPLACE DEADLOCKING ARM ON OPPOSITE SIDE OF LATCH BOLT AND INSTALL PIN.
8. INSTALL INTERNAL SPRING AND INSERT LATCH BOLT AND DEADLOCKING ARM ASS'Y INTO LATCH CASE.
9. INSTALL AUXILIARY BOLT.
10. REPLACE TWO SPRINGS.
11. INSTALL SPRING RETAINER PLATE.

CUT-OFF INSTRUCTIONS FOR NON-STANDARD DOORS

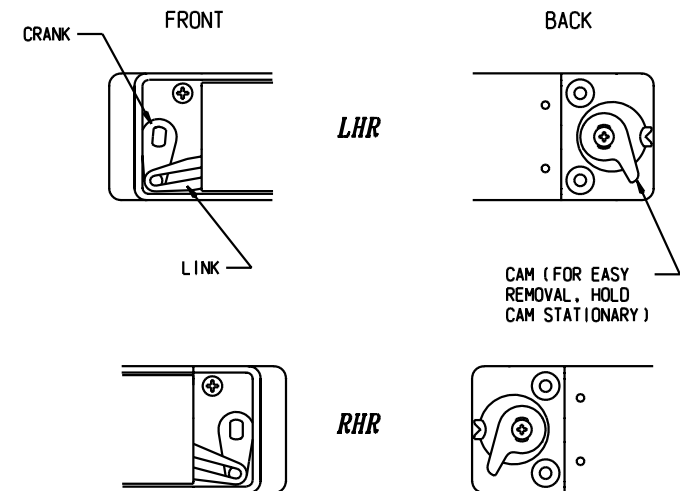
1. SEPERATE PUSH BAR & MOUNTING BAR (SEE BELOW)
2. DETERMINE EXTRUSION LENGTH ("B" DIM). (NOTE: 100 mm " MINIMUM DIMENSION FROM LAST SCISSORS MOUNTING HOLE TO NEW CUT-OFF LENGTH AS SHOWN).
3. MEASURE MOUNTING BAR, TAPE AND MARK EXTRUSION LENGTH.
4. MEASURE PUSH BAR, TAPE AND MARK EXTRUSION LENGTH.
5. SAW OFF EXCESS LENGTH, REMOVE TAPE AND DEBURR.
6. DRILL MOUNTING HOLES IN BACK-BAR, USE TEMPLATE 80-0180-912.
7. SEE INSTALLATION INSTRUCTIONS.

INSTALLING PUSH BAR TO MOUNTING BAR

1. WITH PUSH BAR IN HAND AND MOUNTING BAR ATTACHED TO DOOR, SLIDE THE PIVOT PLATE NEAREST HINGE INTO TRACK OF PUSH BAR UNTIL SECOND PIVOT PLATE IS EXPOSED. INSERT PIVOT PLATE INTO TRACK ON PUSH BAR AND SLIDE IN OPPOSITE DIRECTION UNTIL PUSH BAR AND MOUNTING BAR ALIGN.



EXIT BAR



FRONT VIEW

1. REMOVE LINK FROM CRANK ARM.
2. ROTATE CRANK TO OPPOSITE SIDE.
3. CONTINUE MOVING CRANK ARM AS YOU RELEASE BAR.

BACK VIEW

1. REMOVE CAM SCREW.
2. FLIP CAM OVER TO OPPOSITE POSITION.
3. REPLACE CAM SCREW AND TIGHTEN SECURELY.

| | BACKSET | DOOR OPENING WIDTH (mm) | | | | |
|-------|----------------|---------------------------|-----|-----|------|------|
| | | 600 | 750 | 900 | 1050 | 1200 |
| DIM A | 25 mm OR 29 mm | 532 | 682 | 832 | 982 | 1132 |
| DIM A | 38 mm | 492 | 642 | 792 | 942 | 1092 |

NOTE: THE FORMULA ASSUMES THAT THE APPLICATION IS A FLUSH FRAME, REBATED FRAMES NEED TO BE CONSIDERED SEPERATELY AS A DEEPER DOOR STILE MAY BE REQUIRED DEPENDING ON THE DEPTH OF THE REBATE. CONSULT THE FACTORY TO DISCUSS INDIVIDUAL REQUIREMENTS.