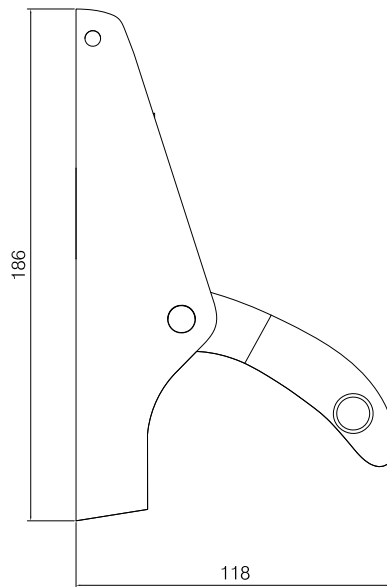


**CONCEALED ROD, PANIC EXIT DEVICE**

Heavy duty lever springs for durable operation of lever arms.  
Internal mechanism manufactured from stainless and plated steel.  
8.5mm Diameter steel operating rods 16mm bolt throw.  
Bolt length adjustable ensuring correct alignment.  
Standard model suitable for doors 2135mm high x 1155mm wide.  
300mm and 600mm coupling rods available for tall doors and 1220mm long crossbars for extra wide doors. Cross bars can be cut to suit exact width requirements.  
Available with standard mortice rim cylinder, handle and mounting pad allowing operation from outside.  
Permanent latch retention by either cylinder key from outside or concealed pins under levers.  
Anodised crossbars in:-  
Silver Satin, Dark Bronze & Black.  
Housings and lever arms stoved, abrasive resistant finish to match anodised finishes.  
Easy to follow instructions and full size templates supplied with every unit.

**SUGGESTED SPECIFICATION**

Concealed vertical rod panic exit devices shall be AXIM Series 7085.  
Door shall be latched at top and bottom except during operation cycle or when held open using key or concealed dogging pin.  
Exit device housings shall not exceed 118 x 186mm projection.  
All mounting screws shall be concealed.  
Heavy duty springs (to raise the crossbar) shall be used on each housing for durability.



**ACCESSORIES**

Rim cylinder for access from outside. (2 keys.)  
**Product Code:-**  
**RC-785-AL** - 46mm DOOR STILE - Silver  
**RC-785-AL-S** - 46mm DOOR STILE - Silver  
**RC-785-DU** - 46mm DOOR STILE - Dark Bronze  
**RC-785-BK** - 46mm DOOR STILE - Black

Mounting pad for fixing rim cylinder.  
**Product codes:-**  
**MP-786-AL** - 46mm DOOR STILE - Silver  
**MP-786-DU** - 46mm DOOR STILE - Dark Bronze  
**MP-786-BK** - 46mm DOOR STILE - Black  
**MP-788-AL** - 49mm DOOR STILE - Silver  
**MP-790-AL** - 54mm DOOR STILE - Silver  
**MP-792-AL** - 67mm DOOR STILE - Silver

Extension rod and coupler for tall doors.  
**Product Code:-**  
**RE-712** - 300mm EXTENSION  
**RE-714** - 600mm EXTENSION

Push bar, 1500mm, for wide doors, cut to suit.  
**Product codes:-**  
**CB-748-AL** - 1219.2mm - CRASH BAR - Silver  
**CB-760-AL** - 1524mm - CRASH BAR - Silver  
Other finishes available to special order.

Dogging Pin  
**DP-713**

Locking handle  
**LH-725-AL** - 46mm DOOR STILE - Aluminium  
**LH-725-BK** - 46mm DOOR STILE - Black  
**LH-730-AL** - 49mm DOOR STILE - Aluminium  
**LH-740-AL** - 54mm DOOR STILE - Aluminium  
**LH-745-AL** - 67mm DOOR STILE - Aluminium  
**LH-760-AL** - 64mm DOOR STILE - Aluminium

**GUARANTEE**

AXIM HANDLES ARE GUARANTEED FOR 12 MONTHS AGAINST DEFECT IN MATERIAL AND WORKMANSHIP. THIS GUARANTEE IS VOID IF THE PRODUCT HAS BEEN INCORRECTLY INSTALLED OR DAMAGED IN USE. CLAIMS FOR DAMAGE INCURRED OR WORK DONE THEREON WILL NOT BE ACCEPTED.  
AXIM RESERVE THE RIGHT TO UPDATE ITS PRODUCT SPECIFICATIONS WITHOUT PRIOR NOTICE.



**The Parkside Group Ltd**

The Willow Centre  
17 Willow Lane, Mitcham, Surrey, CR4 4NX  
Tel: 020-8685 9685 Fax: 020-8646 5096  
Email: axim@parksidegroup.co.uk  
Web Site: www.axim.co.uk

SCALE	NTS @A4
DATE	NOVEMBER 2019
For scaled technical or CAD drawings, please contact AXIM.	