

**CONCEALED ROD, PANIC EXIT DEVICE**

Heavy duty lever springs and internal mechanism for durable operation of lever and arm.

Plated steel and stainless steel components.

8.5mm diameter, steel locking rods with 16mm bolt throw.

Bolt length adjustable ensuring correct alignment.

Standard model suitable for all widths of doors and 2135mm high. 300mm and 600mm coupling rods are available for taller doors.

Available with standard mortice rim cylinder, handle and mounting pad allowing external access.

Permanent bolt retention for easy access can be achieved with cylinder key or dogging pin to the underside of the operating lever.

All Axim panic exit hardware is supplied with comprehensive instructions and full size templates for ease of installation.

**MATERIAL FINISH**

Lever Handles are satin chrome finish to complement most door colours and are clearly marked 'PUSH'.

**GUARANTEE**

AXIM HANDLES ARE GUARANTEED FOR 12 MONTHS AGAINST DEFECT IN MATERIAL AND WORKMANSHIP. THIS GUARANTEE IS VOID IF THE PRODUCT HAS BEEN INCORRECTLY INSTALLED OR DAMAGED IN USE. CLAIMS FOR DAMAGE INCURRED OR WORK DONE THEREON WILL NOT BE ACCEPTED. AXIM RESERVE THE RIGHT TO UPDATE ITS PRODUCT SPECIFICATIONS WITHOUT PRIOR NOTICE.

**SUGGESTED SPECIFICATION**

Concealed vertical rod panic exit devices with paddle handle fitted to inside face of door. Exit device to secure top and bottom of the door except during operation cycle or when rods are retracted with key or dogging pin.

Operating paddle handle and lever not to exceed 118mm x 186mm projection. All mounting screws to be concealed.

Handles and mechanisms will be fitted with heavy duty springs for durability. Ref; AXIM PR-7085P (hand as specified)

**ACCESSORIES**

Extension rod with coupling for doors over 2135mm high (plated steel)

**Ref: RE-712** - 300mm Extension Rod  
**RE-714** - 600mm Extension Rod

Rim cylinder for access from outside  
**RC-795-AL** - 46mm TO 54mm DOOR STILE - Silver  
**RC-795-AL-S** - 46mm TO 54mm DOOR STILE - Silver  
**RC-785-DU** - 46mm DOOR STILE - Bronze  
**RC-785-BK** - 46mm DOOR STILE - Black  
**RC-787-AL** - 46mm DOOR STILE - Silver  
**RC-789-AL** - 54mm DOOR STILE - Silver  
**RC-791-AL** - 67mm DOOR STILE - Silver

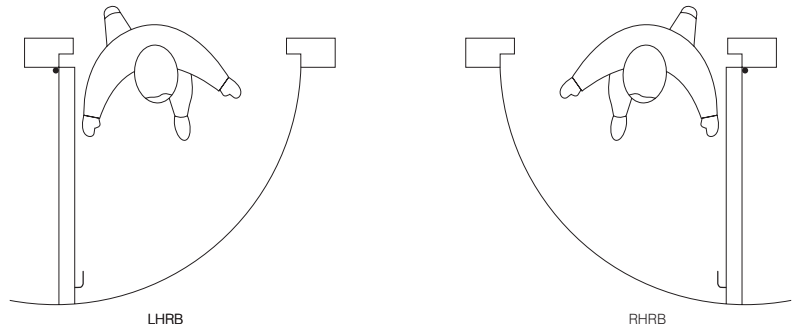
Cylinder mounting pad for above including fixings  
**MP-786-AL** - 46mm DOOR STILE - Silver  
**MP-786-DU** - 46mm DOOR STILE - Bronze  
**MP-786-BK** - 46mm DOOR STILE - Black

Paddle handle housing unit  
**PH-785-AL-LH** - LEFT HAND - Silver  
**PH-785-AL-RH** - RIGHT HAND - Silver

Dogging pin  
**DP-713**

Locking handles  
**LH-725-AL** - 46mm - Silver  
**LH-725-BK** - 46mm - Black  
**LH-730-AL** - 49mm - Silver  
**LH-740-AL** - 54mm - Silver  
**LH-745-AL** - 67mm - Silver

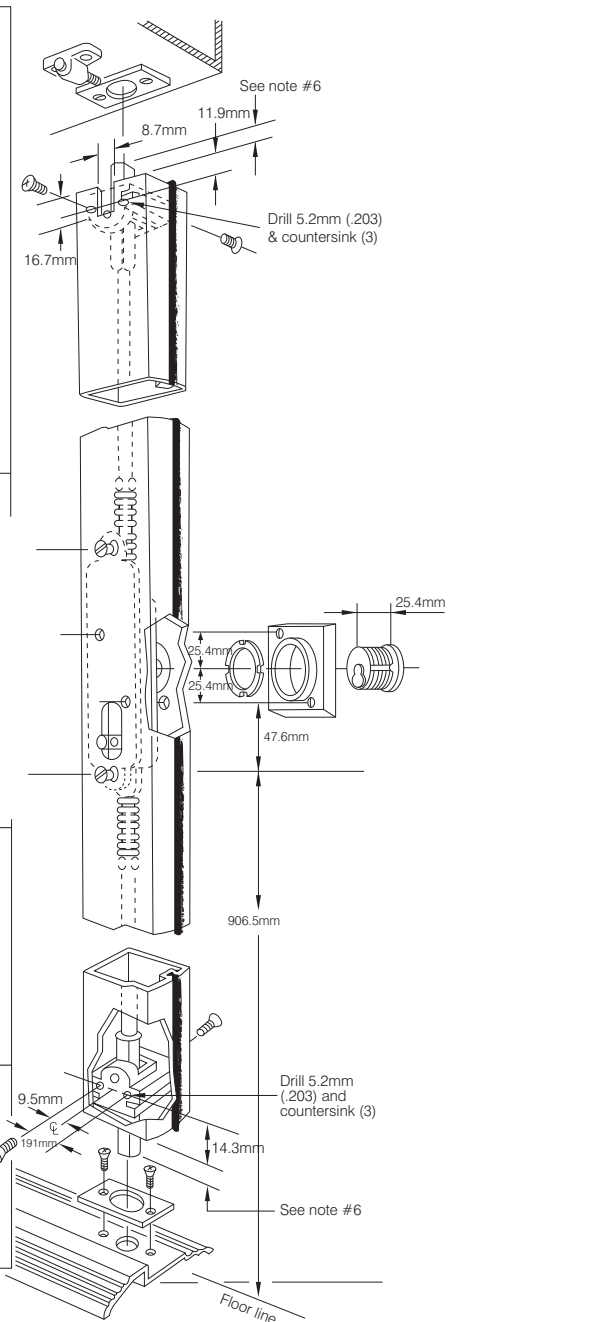
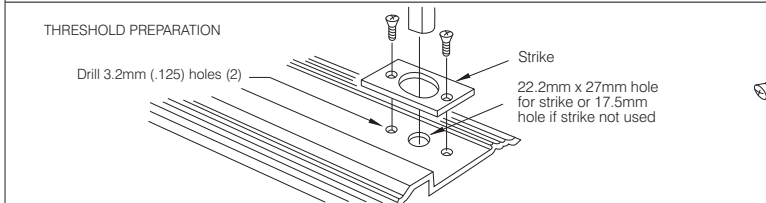
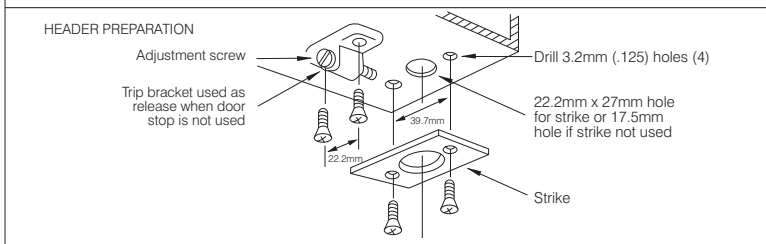
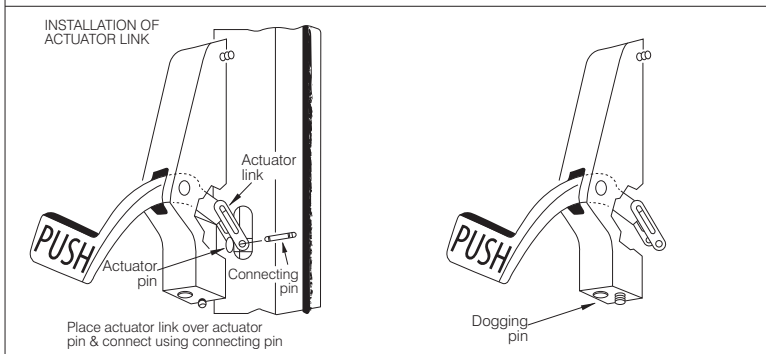
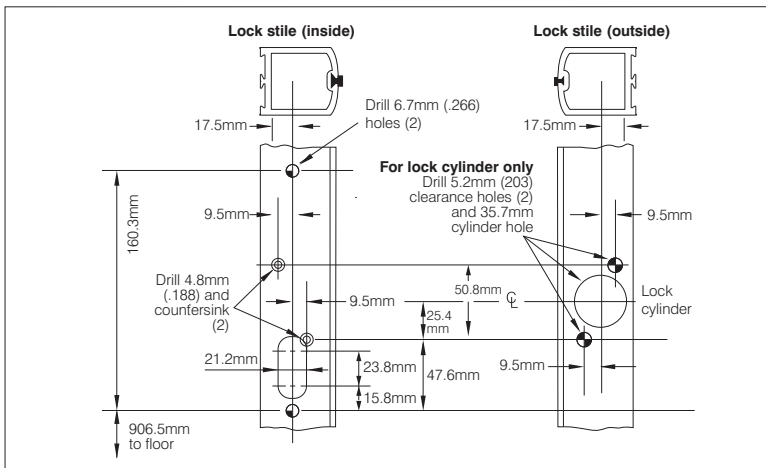
**HAND OF DOOR**



**The Parkside Group Ltd**

The Willow Centre  
17 Willow Lane, Mitcham, Surrey, CR4 4NX  
Tel: 020-8685 9685 Fax: 020-8646 5096  
Email: axim@parksidegroup.co.uk  
Web Site: www.axim.co.uk

SCALE	NTS @A4
DATE	DECEMBER 2017
For scaled technical or CAD drawings, please contact AXIM.	



**MOUNTING INSTRUCTIONS**

- Determine hand of door and prepare inside of lock and hinge stiles as show.
- If Cylinder Key Lock is to be used, prepare inside and outside of lock stile as shown.
- Insert Rod and Case Assembly into lock stile and secure with (2) 1/4-20 Shoulder Studs.
- If Key Lock is used, insert Cylinder in Mounting Pad and secure with Locking Ring. Install using (2) #8-32x1-23.8mm Flat Head Machine Screws.
- Position Exit Pad over stile and attach Actuator Link to Actuator Pin using Connecting Pin provided. Place on stile over 1/4-20 Shoulder Studs and tighten 3 Socket Head Set Screws to secure in place.

- Adjust length of top and bottom Latch Bolts by turning in or out. When the Panic Arm is fully depressed, the Latch Bolts should be slightly recessed from flush with the top and bottom of the door. NOTE: Flat notch side of Bolt **must** face the outside of the door. Install top and bottom Latch Bolt Guides using (6) #10x12.7mm Flat Head Self-threading Screws.
- Install (2) 1/4-20 Shoulder Studs on hinge stile. Place other Exit Pad over Studs and tighten 3 Socket Head Set Screws to secure in place.
- Prepare header and threshold as shown. If Header and Threshold Strikes are required, install using (4) #8x9.5mm Flat Head Self-threading Screws or (4) #8x25.4mm Flat Head All-purpose screws.

**DOGGING EXIT DEVICE USING DOGGING PIN:**

Fully depress push paddle and hold, push up Dogging Pin with screwdriver and rotate 90° in either direction.

**TO RELEASE EXIT DEVICE:**

Hold push paddle down and rotate Dogging Pin with screwdriver in either direction until Dogging Pin releases.

**DOGGING EXIT DEVICE USING CYLINDER KEY:**

Fully depress push paddle and hold, turn Key clockwise approximately 60°, return Key to centre and remove.

**TO RELEASE EXIT DEVICE:**

Turn key counterclockwise 90°, return Key to centre and remove.



The Parkside Group Ltd

The Willow Centre  
17 Willow Lane, Mitcham, Surrey, CR4 4NX  
Tel: 020-8685 9685 Fax: 020-8646 5096  
Email: axim@parksidegroup.co.uk  
Web Site: www.axim.co.uk

SCALE	NTS @A4
DATE	MARCH 2014
For scaled technical or CAD drawings, please contact AXIM.	