

CONCEALED ROD, PANIC EXIT DEVICE

Heavy duty lever springs and internal mechanism for durable, smooth operation. Plated steel and stainless steel internal components.

8.5mm diameter, steel locking rods with 16mm bolt throw.

Bolt length adjustable ensuring correct alignment.

Standard model suitable for door widths as narrow as 700mm and 2135 high. 300mm coupling rods are available for taller doors.

Available with standard mortice rim cylinder and mounting pad allowing external access. Permanent bolt retention for easy access can be achieved with cylinder key from outside or hexagon key in the touch bar. Extruded aluminium touch bar, anodised finish with coloured alloy end caps to match.

All Axim panic exit hardware is supplied with comprehensive instructions and full size templates for ease of installation.

MODEL SELECTION

Determine the hand of the door using the diagram above and enter the correct designation after the series number.

Example:

PR-7100-AL-LHRB

NOTE: Units are stocked in both right and left hand but are easily field reversible.

ACCESSORIES

Extension rod with coupling for doors over 2135mm high (plated steel)

REF; RE-712

Rim cylinder for access from outside

Product codes;

RC-785-AL Silver grey finish

RC-785-DU Dark Bronze finish

RC-785-BK Black finish

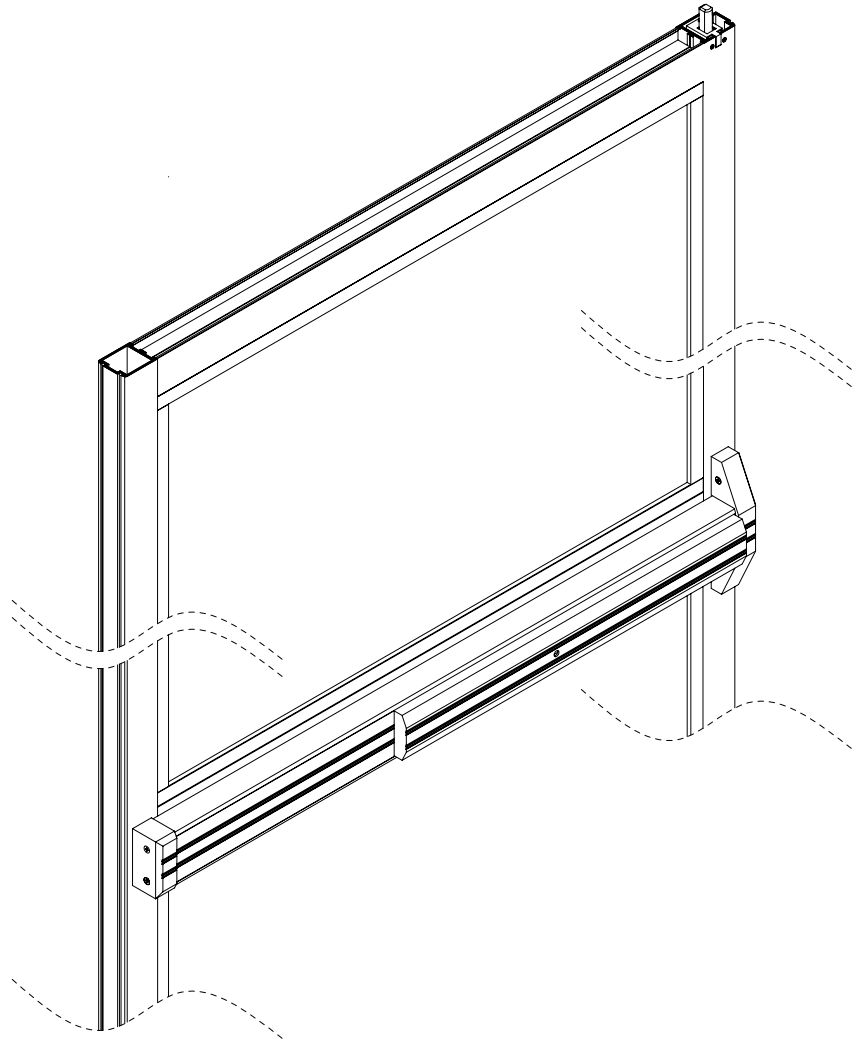
Cylinder mounting pad for above including fixings

Product codes;

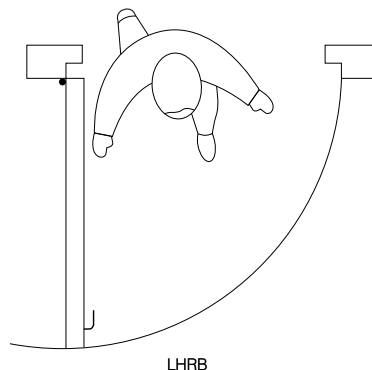
MP-786-AL Silver grey finish

MP-786-DU Dark Bronze finish

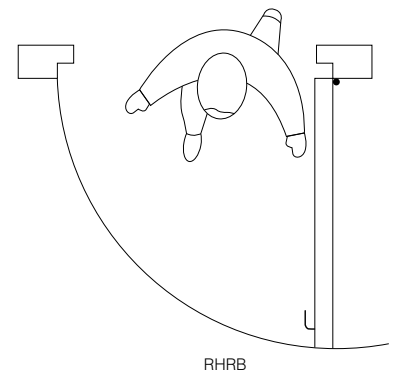
MP-786-BK Black finish



HAND OF DOOR



LHRB



RHRB



THE PARKSIDE GROUP LTD

UNIT 5, THE WILLOW CENTRE
17 WILLOW LANE, MITCHAM, SURREY, CR4 4NX
Tel: 020-8685 9685 Fax: 020-8646 5096
Email: axim@parksidegrp.co.uk
Web Site: http://www.axim.co.uk

| | |
|-------|------------|
| SCALE | NTS @A4 |
| DATE | MARCH 2014 |

For scaled technical or CAD drawings, please contact AXIM.