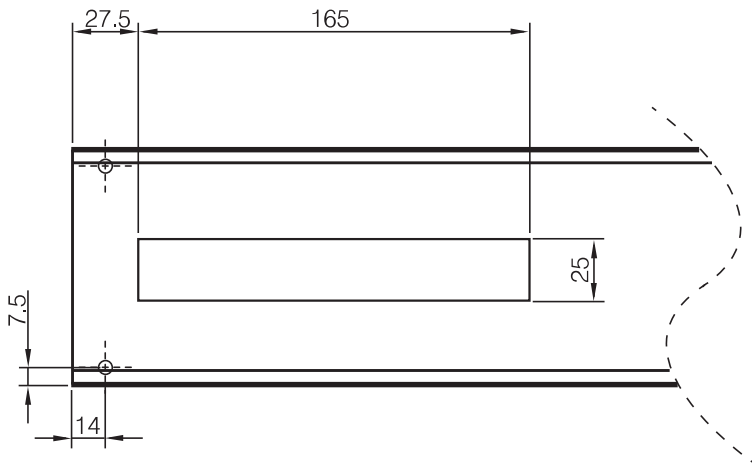
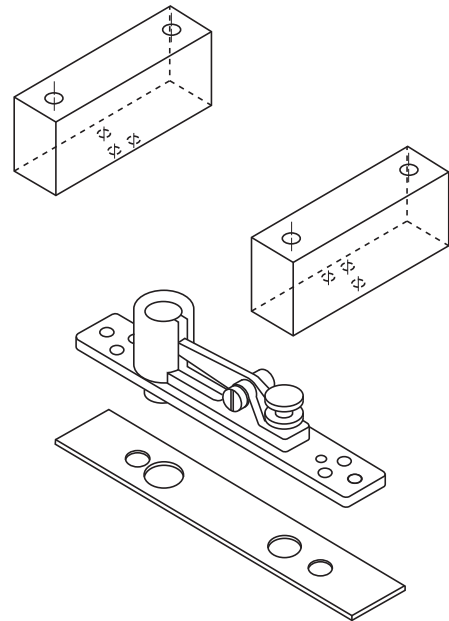
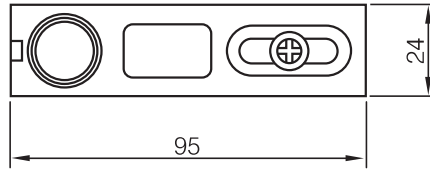


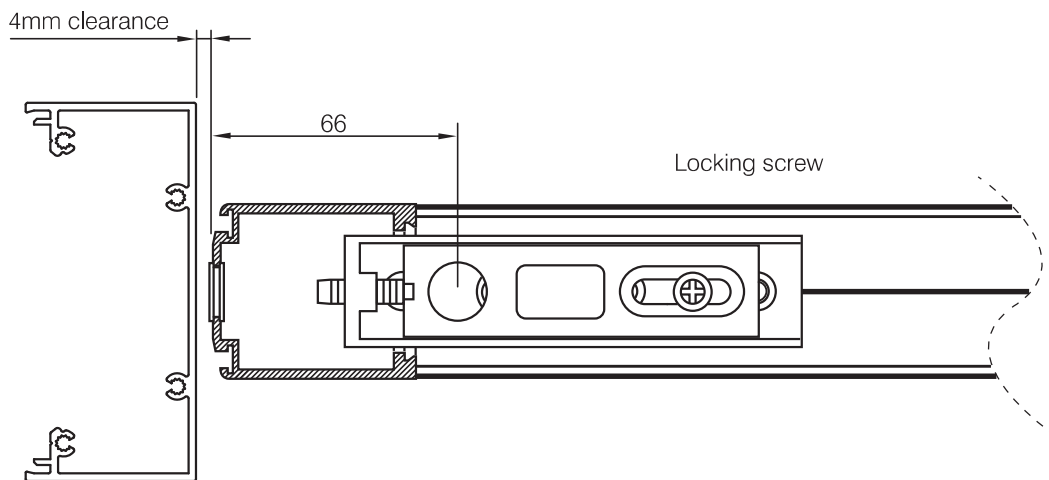
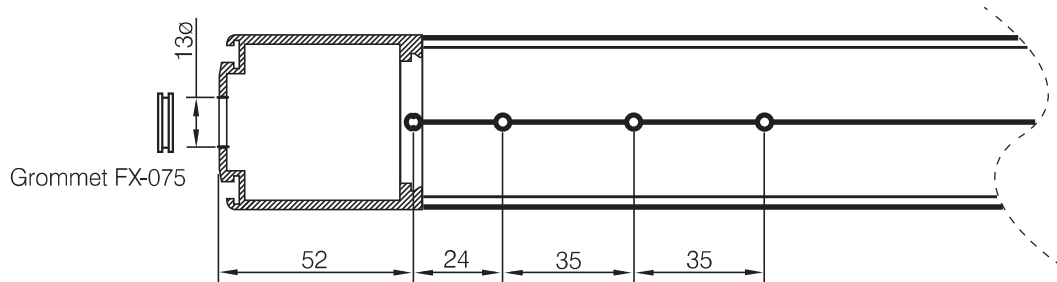
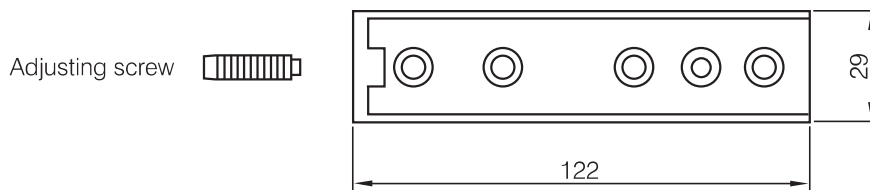
Blocks (by fabricator) drilled and tapped to suit top pivot

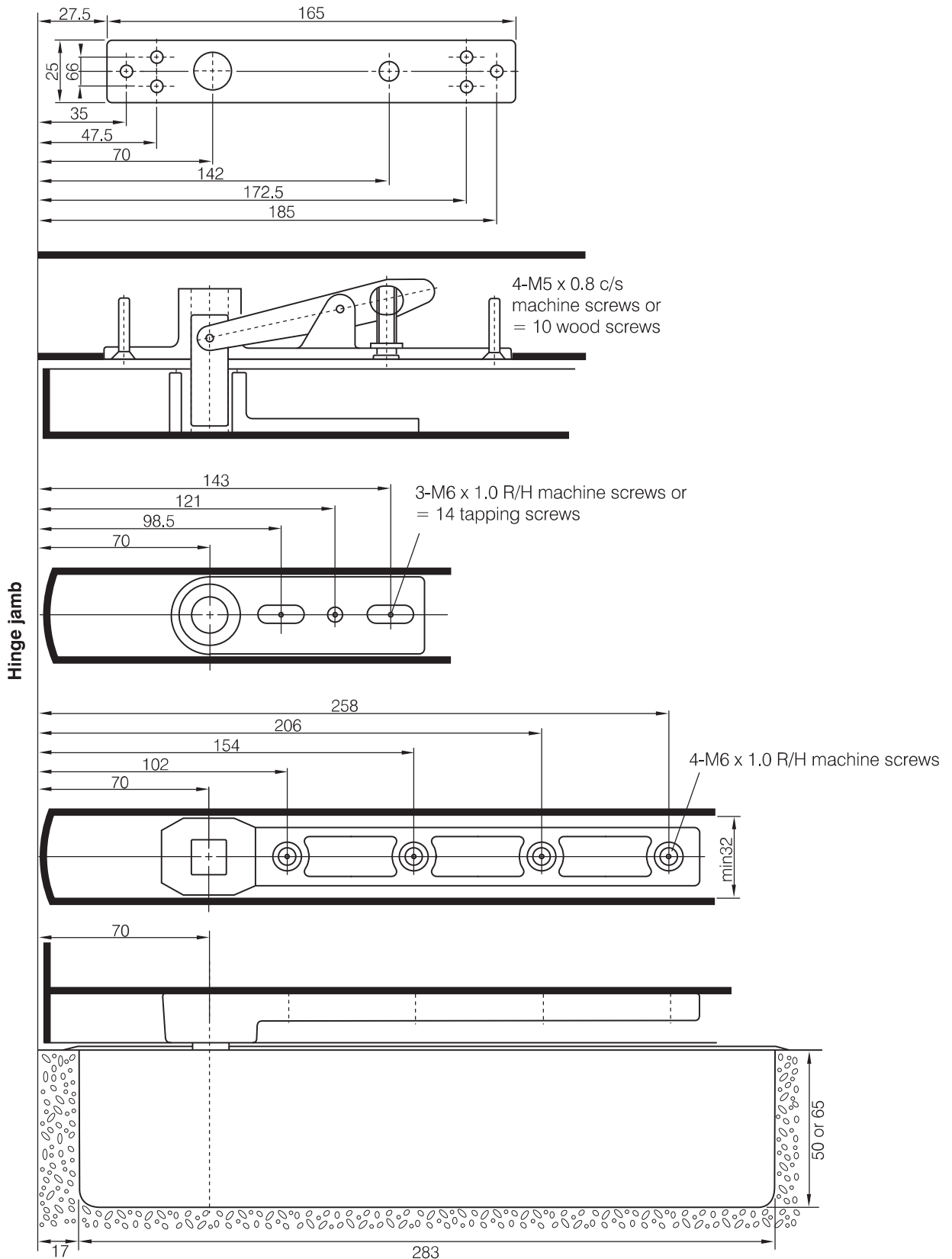


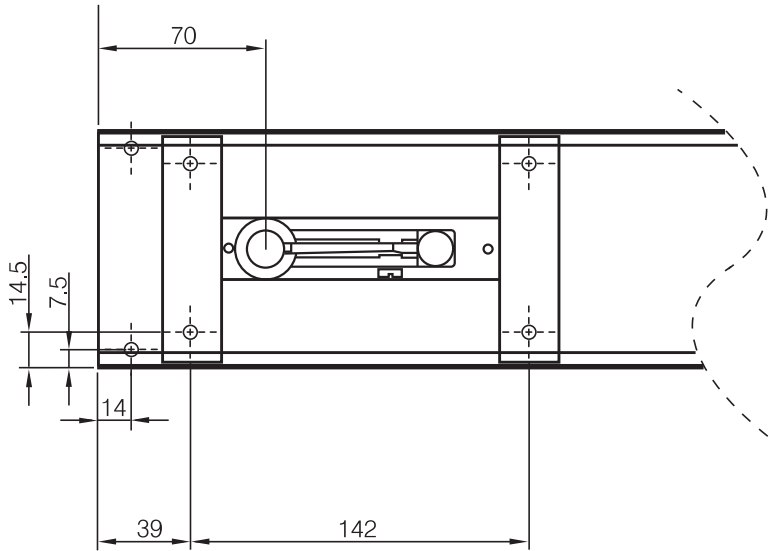
Note:
For anti finger trap doors with auto closers
use AXIM TC8800 dummy transom closer with
standard bottom pivot



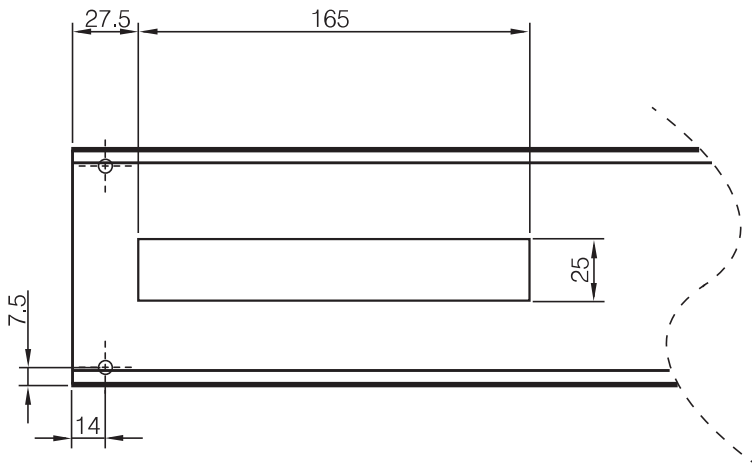
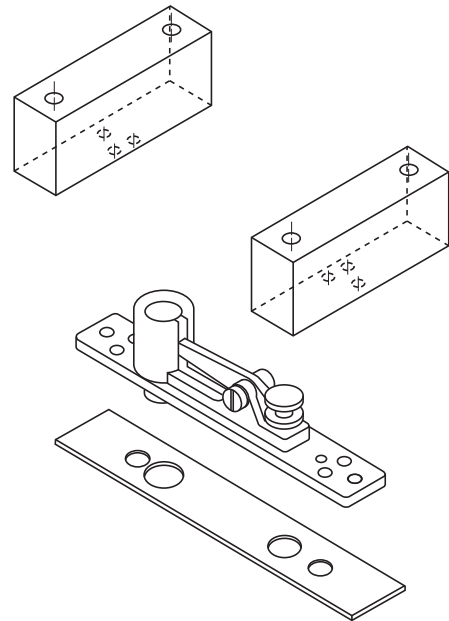
AXIM FS-6000-0115



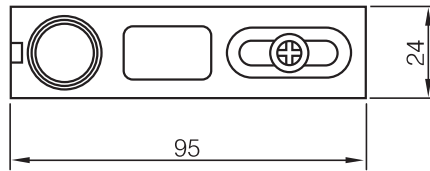




Blocks (by fabricator) drilled and tapped to suit top pivot



Note:
For anti finger trap doors with auto closers
use AXIM TC8800 dummy transom closer with
standard bottom pivot



AXIM FS-6000-0115

