

Transom Door Closer Adjustable Power 2-4

PART CODE: **CHL7025 (NHO)**, **CHL7026 (HO)**

Product Information:

Designed to provide a controlled closing of single or double action commercial aluminium doors. Features include dual closing speeds to allow flexibility in its closing action.

Available Versions:

- Non Hold Open (NHO)
- Hold Open (HO)

Features:

- Adjustable power size 2-4
- Adjustable closing & latch speed
- Maximum door opening angle 130°
- Suitable for single & double action door
- Optional mechanical hold open 90°
- Comes complete with fixings



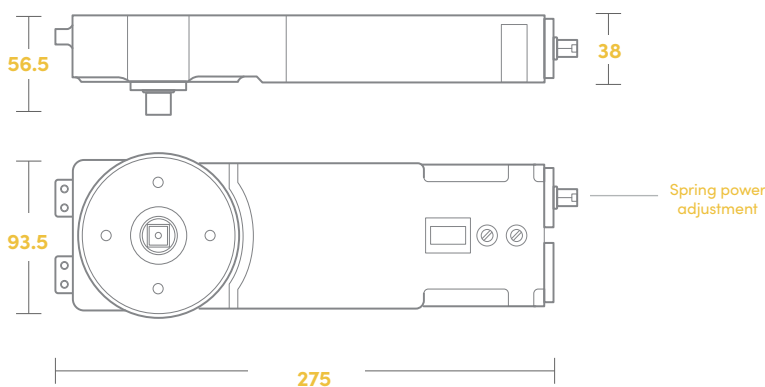
ADJUSTABLE POWER DIAL

Be in full control of the closing speed of any door. with our 3 in 1 closer.



Line Drawing

Sizing in (mm)



Supplied with
Arms & Pivots

