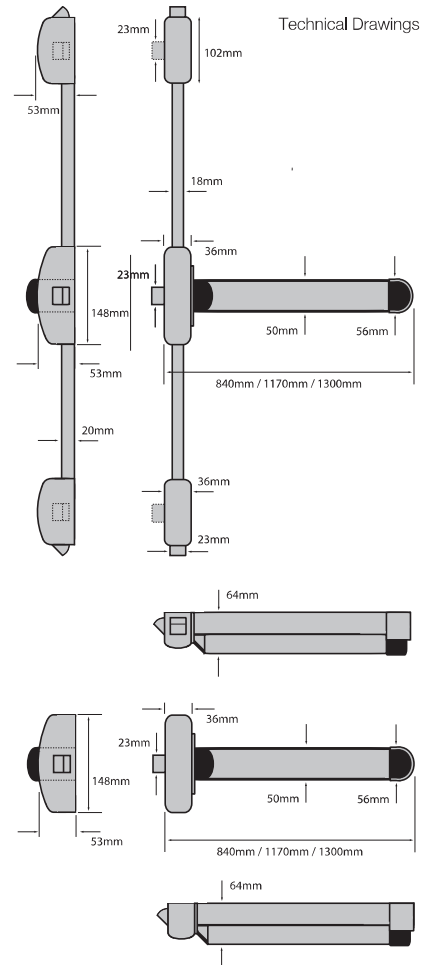




# Touch Bar Range



Technical drawings applicable to PHT50, PHT55, PHT57



All the devices of Panic Hardware (with full width touch bar) have been tested and certified to: EN 1125:2008 (Classification: 3-7-7-B-1-4-2-2-B-A)

## Strand Antipanic Touch Bar Range

- The touch bar panic exit range comprises a full width touch bar and modular components
- The range offers a large degree of flexibility and can provide 1, 2 and 3 point latches (with horizontal or side entry Pullman latches) and 2 or 3 point bolts (with vertical pullman latches) and is supplied with dogging as standard (can be provided without if required).
- Standard size touch bar, 840mm, is suitable for doors up to 860mm wide, for doors exceeding these dimensions extra wide touch bars of 1170mm and 1300mm are available

### Application

- Supplied with striker plates for timber doors
- Strikers also available for PVC-U, Aluminium and Steel doors (Please specify when ordering)

### Dogging facility:

#### Dogging should not be used on the fire/smoke door assemblies

- The touch bar range is available with dogging (hold open facility) as standard, it can be supplied without if required

### Microswitch

- The Modular Touch Bar range can be provided with a microswitch contained in either the operating mechanism or push bar
- If required please specify at the time of ordering stating the micro-switch location.

### Outside access

- Optional outside access devices with lever handle or knob to provide entry from the outside (See page 14 for further information)