

STRAND DUOFLEX

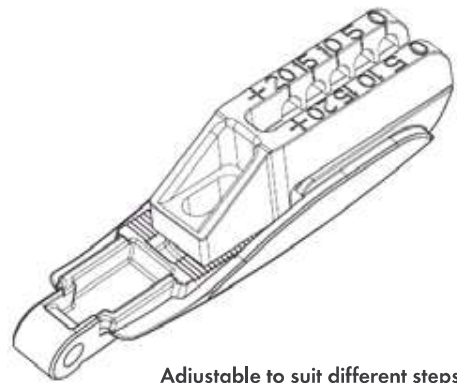


Application

- Top hung, opening out windows.
- Opening out sashes made from Timber, Aluminium, Steel and PVC-U. (no fixing screws supplied).

Description

- Stylish design and simple to adjust to accommodate different steps.
- With an adjustable body - No need for packers.
- 150mm throw, folding action to open and close sash.
- Over centre design means opener 'locks' securely into place when window is closed.
- Link bars available in various lengths depending on sash width.



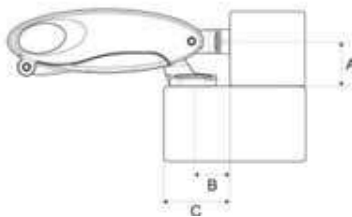
Adjustable to suit different steps

Technical Data

- Cycle tested to over 100,000 operations.
- Patent Approved GB2490896.

STRDU01 Recessed

- For Timber frames

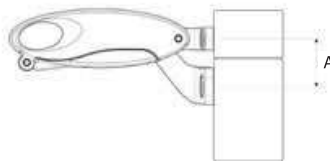


A = Fixing centre to frame 25mm
 B = Fixing centre to Sash 19mm
 C = Minimum frame width required 38mm



STRDU02 Flush

- For Aluminium or Steel frames

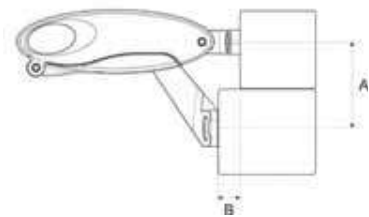


A = Distance between fixing centres 29mm
 Step (see B to the right) 0-10mm can be accommodated



STRDU03 Stepped

- For PVC-U frames



A = Distance between fixing centres 48mm
 B = Step from face of sash to face of frame 16mm
 Step 0-26mm can be accommodated





Depending on size of the window one, two or three openers may be required:

- Single opener: Sash width up to 500mm.
- Two openers plus link bar (comes with end caps) for sash width 600mm to 900mm.
- Three openers plus link bar (comes with end caps) for sash width 900mm to 1500mm.
- We recommend that the link bar is approximately 2/3 to 3/4 of the sash width.

Other Points:

- Link bar will divide the opening gap in half which means that the opening will effectively become approximately 75mm which is well within the guidelines for 2nd storey and higher windows.
- A minimum sash height of 250mm is required where butt hinges are fitted or 400mm where friction hinges are used.
- Pole operated openers are not recommended for windows above 3m from finished floor level or where windows are in a deep reveal.

Options:

- Link bar STRBA (Standard link bar sizes: 300mm, 600mm, 900mm, 1000mm, 1200mm).
- Centre ring STRX02 may be used.
- Pole operation for high level windows;
 - 1 metre - X02801011
 - 1.5 metre - X02801511
 - 2 metre - X02802011



Pole Operator

Note:

To use pole with a single opener please order STRX02 centre ring and extension piece.

Finishes



Silver Grey (EPS) 20



Satin stainless steel plated (SSSP) 44



Polished Brass Plated (PBP) 43



White (EPW) 25

